

SC02

NOTE:
MATERIAL:

- CONTACT: PHOSPHOR BRONZE.
- CONNECTOR HOUSING: LCP UL 94V-0. COLOR: BLACK.
- MOULDED INSERT: HIGH TEMPERATURE PLASTIC UL 94V-0. COLOR:BLACK.
- CAGE: COPPER ALLOY.
- LIGHT PIPES: POLYCARBONATE. UL 94V-0. COLOR:CLEAR
- LIGHT PIPE HOUSING: PBT UL 94V-0 COLOR:BLACK.

PLATED:

- CONTACT MATING AREA : PLATING GOLD OVER 1.27 MICROMETERS MINIMUM NICKEL.

- CONTACT NEEDLE EYE: 1.27 MICROMETERS MINIMUM MATTE TIN OVER 1.27 MICROMETERS MINIMUM NICKEL.

MECHANICAL REQUIREMENT:

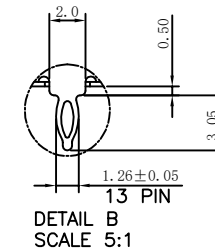
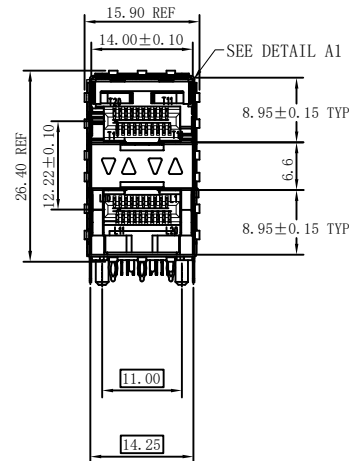
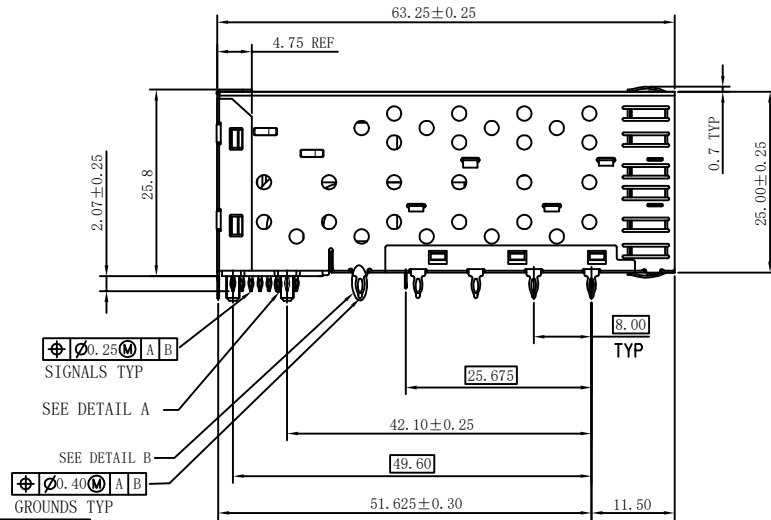
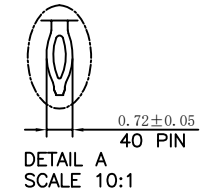
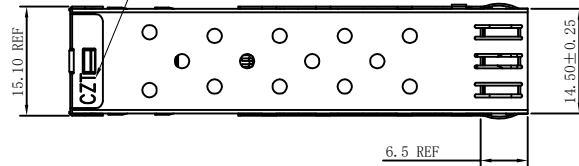
- DURABILITY: 100 CYCLES MIN.
- INSERTION AND EXTRACTION FORCE: 40N MAX & 11.5N MAX

REV. 版本	ECN NO. 变更说明	DATE 日期
A-K	见老版图纸	
L	修改图画	2021.05.26

ENVIRONMENTAL:

- LOW LEVEL CONTACT RESITANCE(LLCR):
 ΔR 10 MILLIOHMS MAXIMUM FOR SHIELD AND SIGNAL CONTACTS.
- DIELECTRIC WITHSTANDING VOLTAGE: 300V AC/MAX.
- INSULATION RESISTANCE: 1×10^9 OHMS MINIMUM.
- RATINGS CURRENT: 0.5 AMPS MAX.
- RATINGS VOLTAGE: 30 VOLTS DC/AC(RMS) MAX.
- OPERATION: $-40^{\circ}\text{C} \sim +85^{\circ}\text{C}$.
- STORAGE: $-55^{\circ}\text{C} \sim +105^{\circ}\text{C}$.
- ROHS COMPLIANT

CZT LOGO(OPTION)



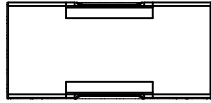
RoHS Compliant

温州意华接插件股份有限公司 WENZHOU YIHUA CONNECTOR CO., LTD	TOLERANCES 公差		Material: 材质	Designed: 设计	NAME: 名称	SFP 2X1 CONNECTOR	
	.X ± 0.25		SEE NOTE	Lamei Tang	DWG NO: 图号	ESFP-021-01-C	
	.XX ± 0.13		Finish: 电镀	SEE NOTE	Checked: 审核	Qianpu Zhao	REV. 版本
.XXX ± 0.10		SHEET 1 OF 5		Approved: 核准	Robinson	PART NO: 料号	SEE TABLE
ANGLES: ± 2°		第 页 共 页				L	

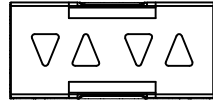
REV. 版本	ECN NO. 变更说明	DATE 日期

A

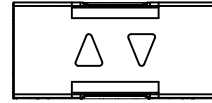
A



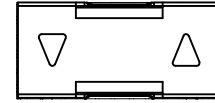
TYPE1_NONE LIGHT PIPES



TYPE2_4 LIGHT PIPES



TYPE3_2 INNER LIGHT PIPES

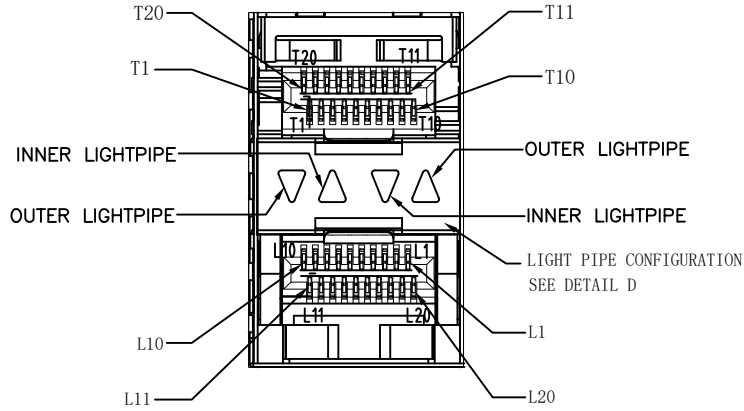


TYPE4_2 OUTER LIGHT PIPES

LIGHT PIPE CONFIGURATION
DETAIL D SCALE 2:1

B

B



DETAIL A1
SCALE 4:1

C

C

D

D

RoHS Compliant

第三视角 CZT ® 温州意华接插件股份有限公司 WENZHOU YIHUA CONNECTOR CO., LTD	TOLERANCES 公差 .X ±0.25 .XX ±0.13 .XXX ±0.10 ANGLES: ±2°		Material: 材质 SEE NOTE	Designed: 设计 Lamei Tang	NAME: 名称 SFP 2X1 CONNECTOR	SHEET 2 OF 5 第 页 共 页	Approved: 核准 Robin	PART NO: 料号 SEE TABLE	REV. 版本 L
	Finish: 电镀 SEE NOTE	Checked: 审核 Qianpu Zhao	DWG NO: 图号 ESFP-021-01-C						
	SCALE 比例 2:1	UNIT 单位 mm	CUSTOMER: 客户 N/A	MODEL NO: 模号 N/A	DWG NO: 图号 ESFP-021-01-C				

1

2

3


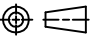
4

SC02

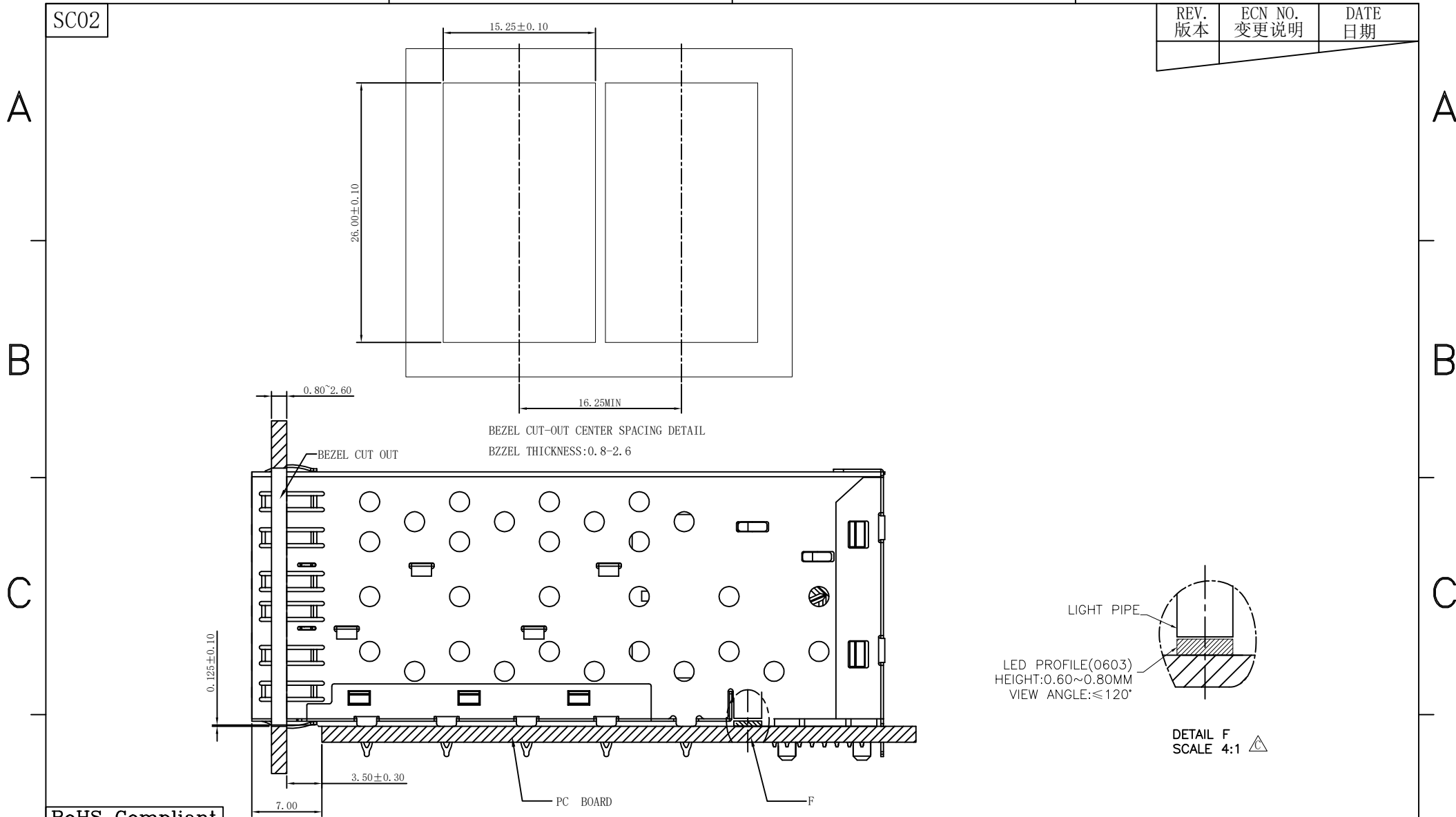
REV. 版本	ECN NO. 变更说明	DATE 日期

10705121D041		SFP 2X1 PRESS FIT CONNECTOR	TYPE1 NONE LIGHT PIPES		15u"	WITHOUT CZT LOGO	UNPLATED
10705221D002	B869S-0015-Y005	SFP 2X1 PRESS FIT CONNECTOR	TYPE2 4 LIGHT PIPES	▽△▽△	15u"	WITHOUT CZT LOGO	UNPLATED
10705121D002	B869S-0015-Y004	SFP 2X1 PRESS FIT CONNECTOR	TYPE1 NONE LIGHT PIPES		15u"	WITHOUT CZT LOGO	UNPLATED
10705221D005	B869S-0015-Y024	SFP 2X1 PRESS FIT CONNECTOR	TYPE4 2 OUTER LIGHT PIPES	▽ △	15u"	WITHOUT CZT LOGO	UNPLATED
10705221D024	B869S-0015-Y026	SFP 2X1 PRESS FIT CONNECTOR	TYPE3 2 INNER LIGHT PIPES	△▽	15u"	WITHOUT CZT LOGO	UNPLATED
10705221F001	B869S-0030-Y003	SFP 2X1 PRESS FIT CONNECTOR	TYPE2 4 LIGHT PIPES	▽△▽△	30u"	WITHOUT CZT LOGO	UNPLATED
10705121F008	B869S-0030-Y004	SFP 2X1 PRESS FIT CONNECTOR	TYPE1 NONE LIGHT PIPES		30u"	WITHOUT CZT LOGO	UNPLATED
10705221F009	B869S-0030-Y011	SFP 2X1 PRESS FIT CONNECTOR	TYPE4 2 OUTER LIGHT PIPES	▽ △	30u"	WITHOUT CZT LOGO	UNPLATED
10705221F002	B869S-0030-Y009	SFP 2X1 PRESS FIT CONNECTOR	TYPE3 2 INNER LIGHT PIPES	△▽	30u"	WITHOUT CZT LOGO	UNPLATED
10705221D047	B869S-0015-Y067	SFP 2X1 PRESS FIT CONNECTOR	TYPE2 4 LIGHT PIPES	▽△▽△	15u"	WITHOUT CZT LOGO	Ni 30u"MIN
10705121D009	B869S-0015-Y060	SFP 2X1 PRESS FIT CONNECTOR	TYPE1 NONE LIGHT PIPES		15u"	WITHOUT CZT LOGO	Ni 30u"MIN
10705221D049		SFP 2X1 PRESS FIT CONNECTOR	TYPE4 2 OUTER LIGHT PIPES	▽ △	15u"	WITHOUT CZT LOGO	Ni 30u"MIN
10705221D050		SFP 2X1 PRESS FIT CONNECTOR	TYPE3 2 INNER LIGHT PIPES	△▽	15u"	WITHOUT CZT LOGO	Ni 30u"MIN
10705221F024		SFP 2X1 PRESS FIT CONNECTOR	TYPE2 4 LIGHT PIPES	▽△▽△	30u"	WITHOUT CZT LOGO	Ni 30u"MIN
10705121F004		SFP 2X1 PRESS FIT CONNECTOR	TYPE1 NONE LIGHT PIPES		30u"	WITHOUT CZT LOGO	Ni 30u"MIN
10705221F025		SFP 2X1 PRESS FIT CONNECTOR	TYPE4 2 OUTER LIGHT PIPES	▽ △	30u"	WITHOUT CZT LOGO	Ni 30u"MIN
10705221F026		SFP 2X1 PRESS FIT CONNECTOR	TYPE3 2 INNER LIGHT PIPES	△▽	30u"	WITHOUT CZT LOGO	Ni 30u"MIN
10705221D001	B869S-0015-Y003	SFP 2X1 PRESS FIT CONNECTOR	TYPE2 4 LIGHT PIPES	▽△▽△	15u"	WITH CZT LOGO	UNPLATED
10705121D007	B869S-0015-Y053	SFP 2X1 PRESS FIT CONNECTOR	TYPE1 NONE LIGHT PIPES		15u"	WITH CZT LOGO	UNPLATED
10705221D008	B869S-0015-Y023	SFP 2X1 PRESS FIT CONNECTOR	TYPE4 2 OUTER LIGHT PIPES	▽ △	15u"	WITH CZT LOGO	UNPLATED
10705221D009	B869S-0015-Y025	SFP 2X1 PRESS FIT CONNECTOR	TYPE3 2 INNER LIGHT PIPES	△▽	15u"	WITH CZT LOGO	UNPLATED
10705221F021	B869S-0030-Y015	SFP 2X1 PRESS FIT CONNECTOR	TYPE2 4 LIGHT PIPES	▽△▽△	30u"	WITH CZT LOGO	UNPLATED
10705121F007	B869S-0030-Y024	SFP 2X1 PRESS FIT CONNECTOR	TYPE1 NONE LIGHT PIPES		30u"	WITH CZT LOGO	UNPLATED
10705221F022	B869S-0030-Y012	SFP 2X1 PRESS FIT CONNECTOR	TYPE4 2 OUTER LIGHT PIPES	▽ △	30u"	WITH CZT LOGO	UNPLATED
10705221F023	B869S-0030-Y013	SFP 2X1 PRESS FIT CONNECTOR	TYPE3 2 INNER LIGHT PIPES	△▽	30u"	WITH CZT LOGO	UNPLATED
10705221D011	B869S-0015-Y066	SFP 2X1 PRESS FIT CONNECTOR	TYPE2 4 LIGHT PIPES	▽△▽△	15u"	WITH CZT LOGO	Ni 30u"MIN
10705121D008	B869S-0015-Y054	SFP 2X1 PRESS FIT CONNECTOR	TYPE1 NONE LIGHT PIPES		15u"	WITH CZT LOGO	Ni 30u"MIN
10705221D025		SFP 2X1 PRESS FIT CONNECTOR	TYPE4 2 OUTER LIGHT PIPES	▽ △	15u"	WITH CZT LOGO	Ni 30u"MIN
10705221D048		SFP 2X1 PRESS FIT CONNECTOR	TYPE3 2 INNER LIGHT PIPES	△▽	15u"	WITH CZT LOGO	Ni 30u"MIN
10705221F027		SFP 2X1 PRESS FIT CONNECTOR	TYPE2 4 LIGHT PIPES	▽△▽△	30u"	WITH CZT LOGO	Ni 30u"MIN
10705121F003		SFP 2X1 PRESS FIT CONNECTOR	TYPE1 NONE LIGHT PIPES		30u"	WITH CZT LOGO	Ni 30u"MIN
10705221F028		SFP 2X1 PRESS FIT CONNECTOR	TYPE4 2 OUTER LIGHT PIPES	▽ △	30u"	WITH CZT LOGO	Ni 30u"MIN
10705221F029		SFP 2X1 PRESS FIT CONNECTOR	TYPE3 2 INNER LIGHT PIPES	△▽	30u"	WITH CZT LOGO	Ni 30u"MIN
PART NUMBER	PART NUMBER (OLD)	DESCRIPTION	LIGHT PIPES	CONTACT PALTING GOLD		CZT LOGO	CAGE PLATING

RoHS Compliant

 温州意华接插件股份有限公司 WENZHOU YIHUA CONNECTOR CO., LTD	TOLERANCES 公差		Material: 材质	SEE NOTE	Designed: 设计	Lamei Tang	NAME: 名称	SFP 2X1 CONNECTOR	
	.X ±0.25		Finish: 电镀	SEE NOTE	Checked: 审核	Qianpu Zhao	DWG NO: 图号	ESFP-021-01-C	REV. 版本
	.XX ±0.13		SHEET 3 OF 5 第 3 页 共 5 页			Approved: 核准	Robin	PART NO: 料号	SEE TABLE
 第三视角	A4 SIZE	SCALE 比例	UNIT 单位	CUSTOMER: 客户	N/A	MODEL NO: 模号	N/A	ANGLES: ±2°	

REV. 版本	ECN NO. 变更说明	DATE 日期



RoHS Compliant

CZT® 温州意华接插件股份有限公司
WENZHOU YIHUA CONNECTOR CO., LTD

第三视角	A4 SIZE	SCALE 比例	UNIT 单位	CUSTOMER: 客户	N/A
		2:1	mm	MODEL NO: 模号	N/A

TOLERANCES
公差

.X	±0.25
.XX	±0.13
.XXX	±0.10

ANGLES: ±2°

Material: 材质	SEE NOTE
Finish: 电镀	SEE NOTE
SHEET 4 OF 5 第 4 页 共 5 页	

Designed: 设计	Lamei Tang
Checked: 审核	Qianpu Zhao
Approved: 核准	Robin

NAME: 名称	SFP 2X1 CONNECTOR	
DWG NO: 图号	ESFP-021-01-C	REV. 版本
PART NO: 料号	SEE TABLE	L

REV. 版本	ECN NO. 变更说明	DATE 日期

A

B

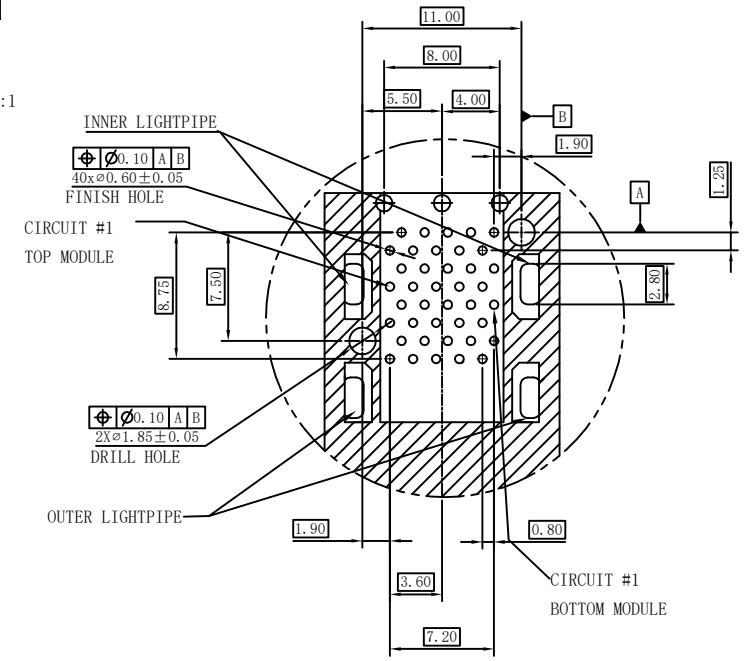
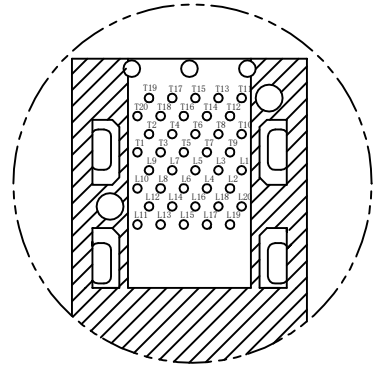
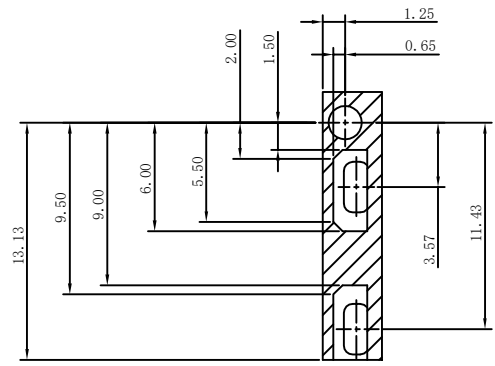
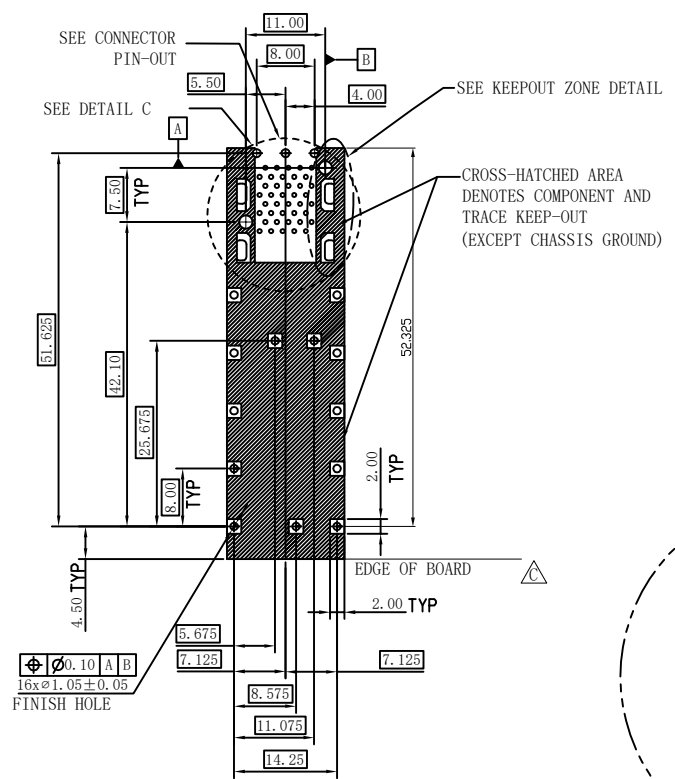
C

A

B

C

SC02



RoHS Compliant

CZT® 温州意华接插件股份有限公司
 WENZHOU YIHUA CONNECTOR CO., LTD

第三视角	A4 SIZE	SCALE 比例	UNIT 单位	CUSTOMER: 客户	N/A
		2:1	mm	MODEL NO: 模号	N/A

TOLERANCES 公差
 .X ± 0.25
 .XX ± 0.13
 .XXX ± 0.10
 ANGLES: $\pm 2^\circ$

Material: 材质 SEE NOTE
 Finish: 电镀 SEE NOTE
 SHEET 5 OF 5
 第 页 共 页

Designed: 设计 Lamei Tang
 Checked: 审核 Qianpu Zhao
 Approved: 核准 Robin

NAME: 名称 SFP 2X1 CONNECTOR
 DWG NO: 图号 ESFP-021-01-C
 PART NO: 料号 SEE TABLE
 REV. 版本 L

1

2

3

4

D

D